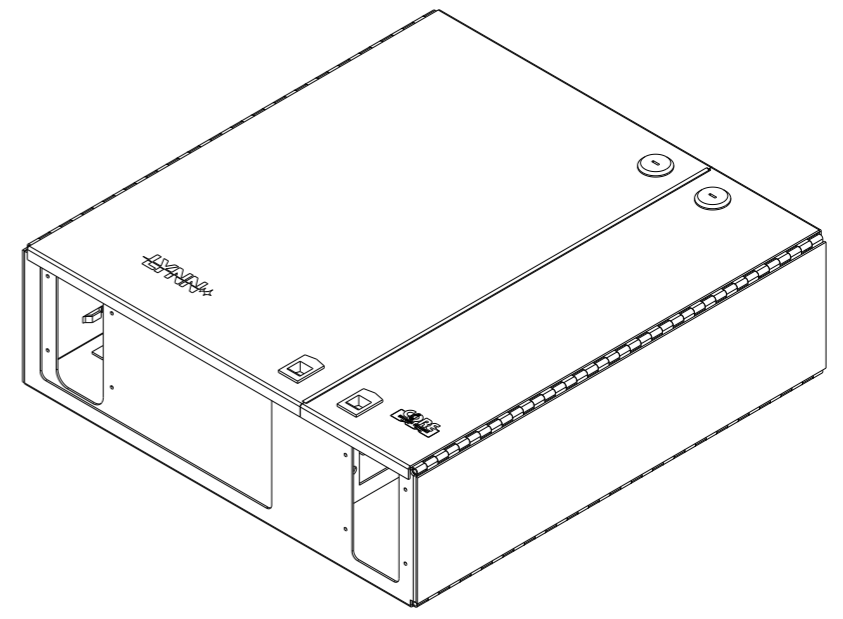
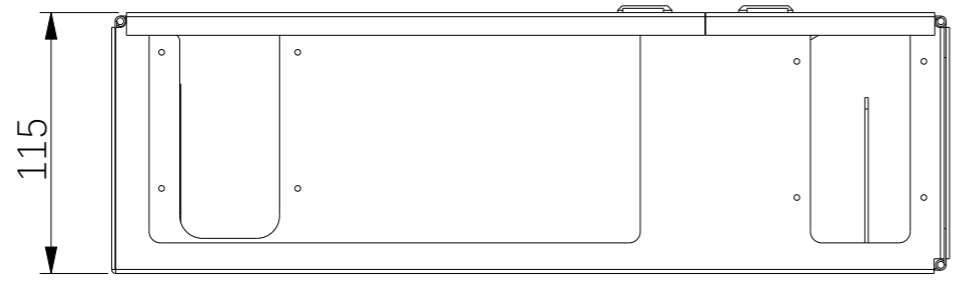
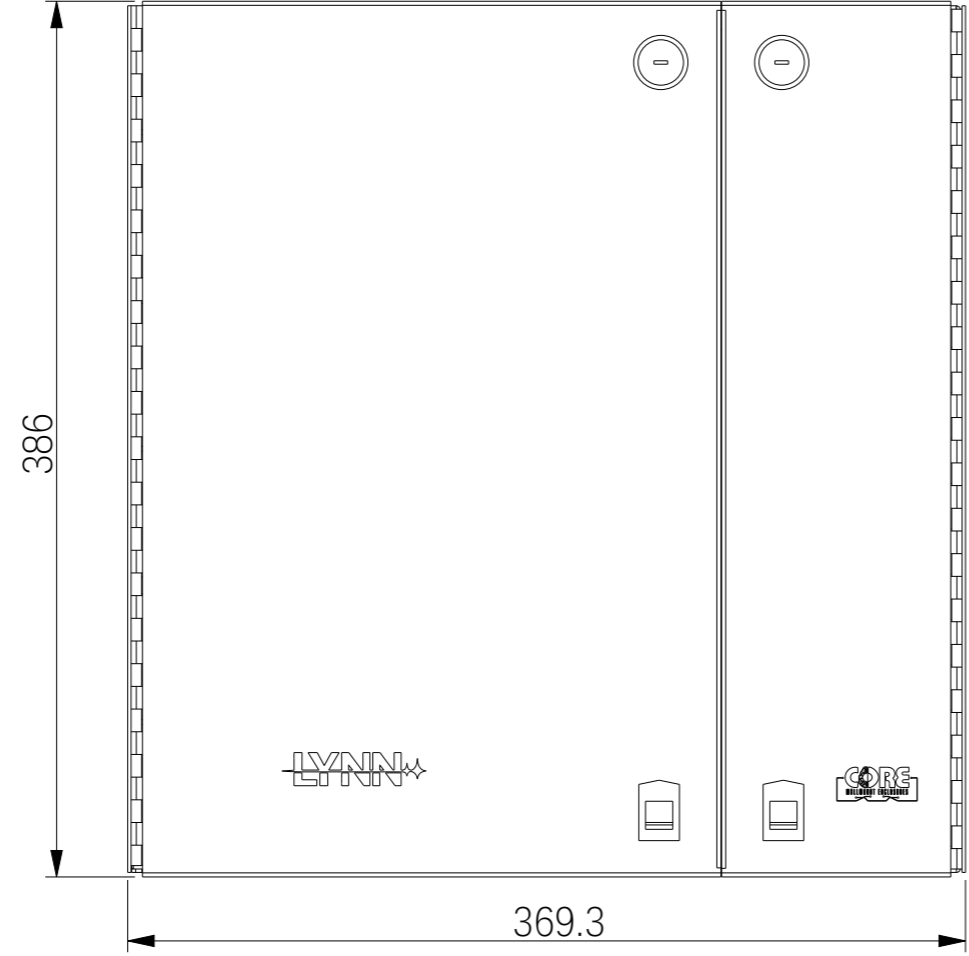
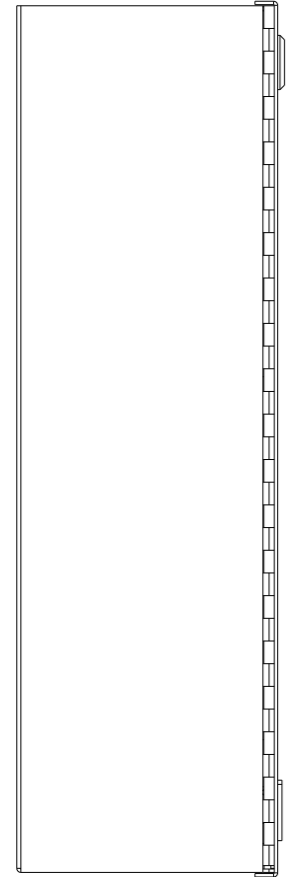
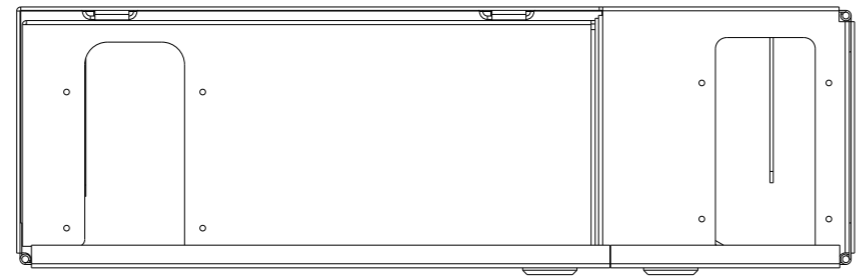


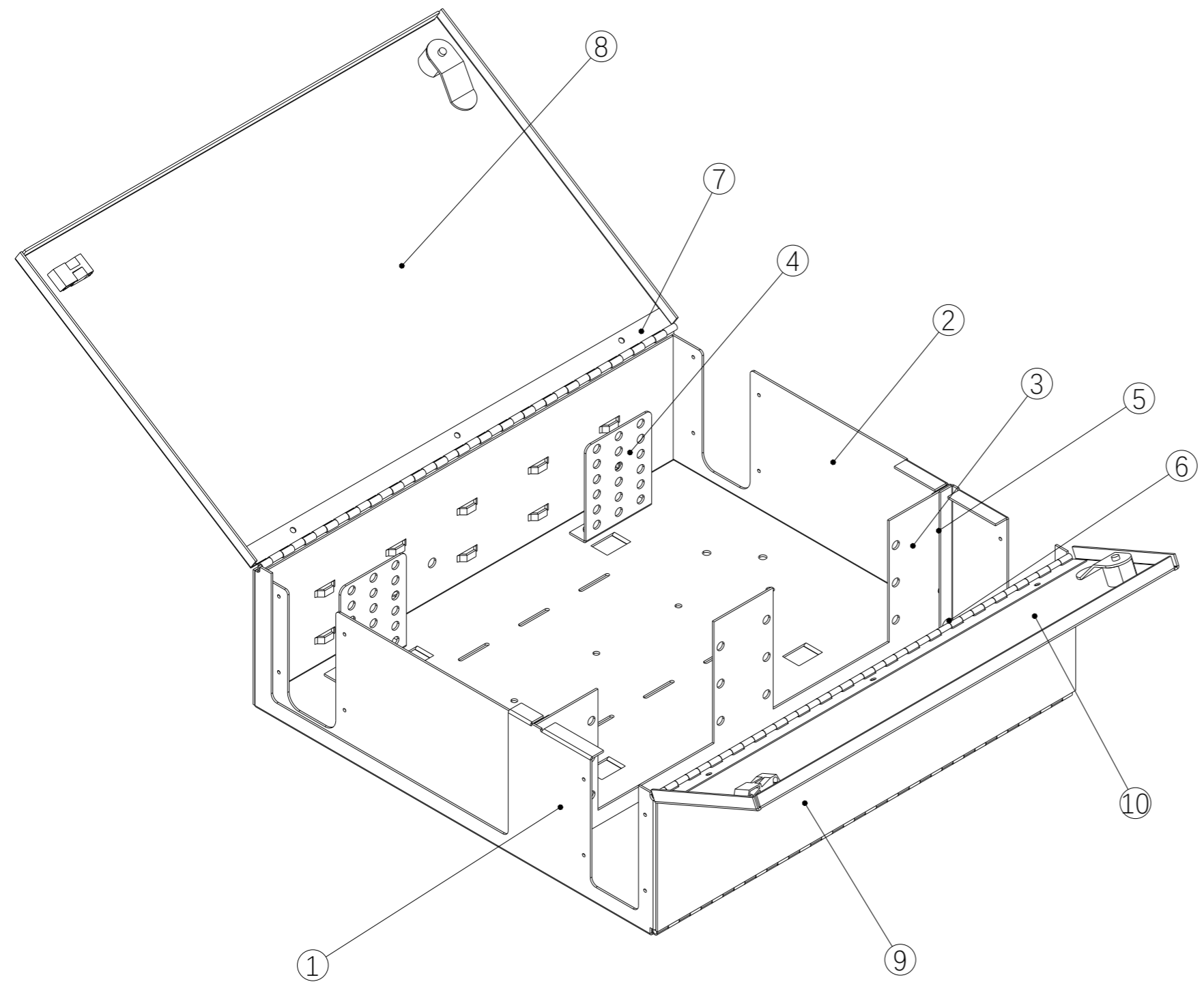
REV	ECN NO.	CHANGE CONTENT	SIGNATURE	DATE
A1		First Issued)	T. Hodson	20230728




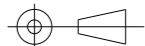
Note:
 1.Material: SPCC
 2.Finish:Black Powder Coat.

	SIGNATURE	DATE	LYNN			
DRAWN	T. Hodson	2023-03-20	MAT'L	/	PRODUCT NO.	FPP-06-W-21
CHK'D	J. Farrell	2023-03-20	UNITS	mm	PRODUCT NAME	Dual Door wall mount enclosure (6) LGX
PROCESS		2023-03-20	SCALE	3:10	DRAWING NO.	FPP-06-W-21-V2
APPV'D	C. Hoskins	2023-03-20	TYPE OF PROJECTION			SHEET 1 OF 1
			REV	A1		

REV	ECN NO.	CHANGE CONTENT	SIGNATURE	DATE
A1		First Issued	T. Hodson	20230728



Note:
 1.Material: SPCC
 2.Finish:Black Powder Coat.

		SIGNATURE	DATE			
DRAWN	T. Hodson	2023-07-25	MAT'L	/	PRODUCT NO.	FPP-06-W-21
CHK'D	J. Farrell	2023-07-25	UNITS	mm	PRODUCT NAME	Dual Door wall mount enclosure (6) LGX Adapter plate
PROCESS		2023-07-25	SCALE		DRAWING NO.	FPP-06-W-21-V2
APPV'D	C. Hoskins	2023-07-25	TYPE OF PROJECTION			SHEET 1 OF 1
			REV	A1		