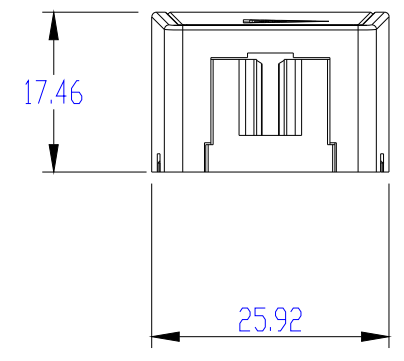
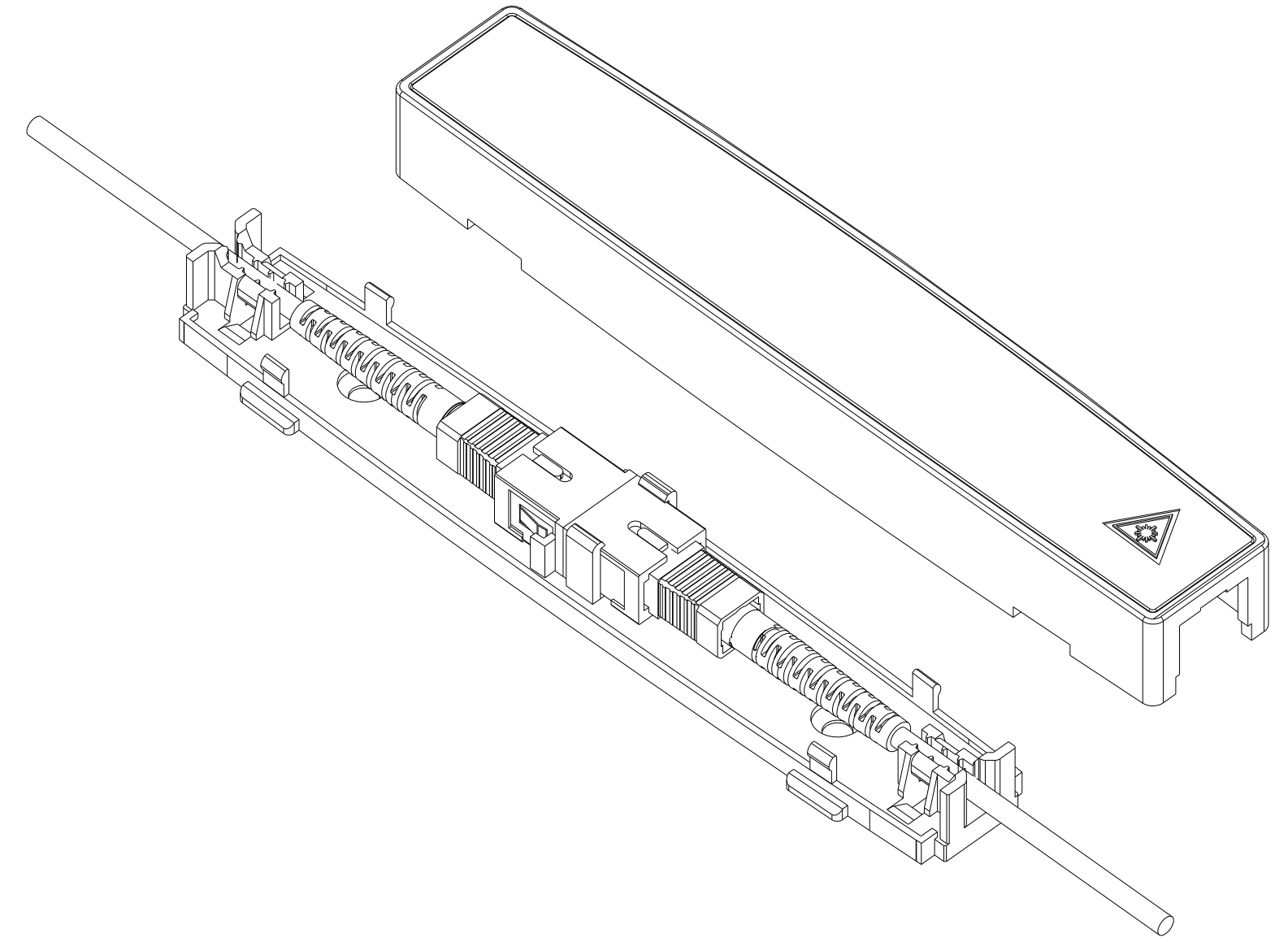
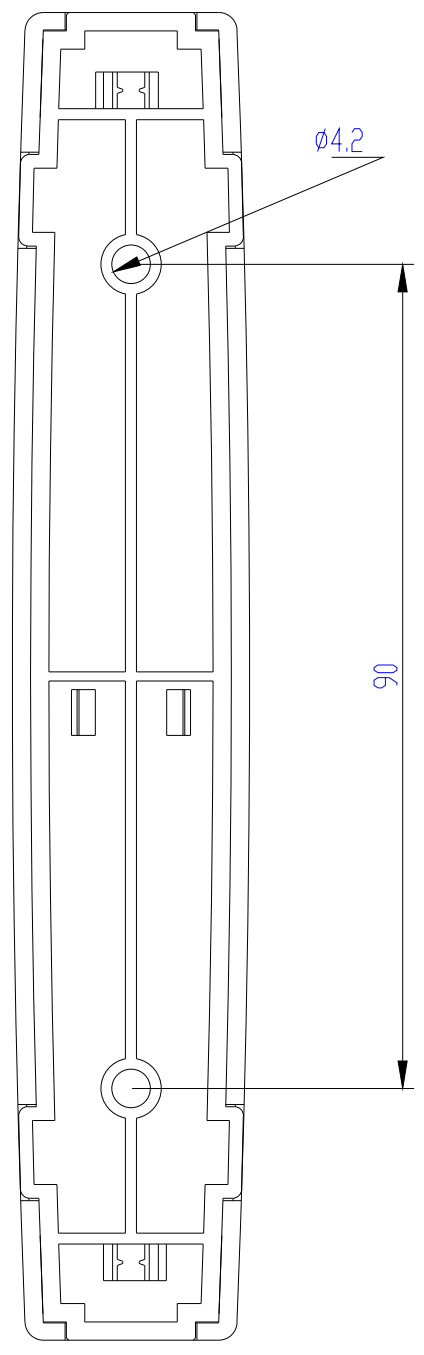
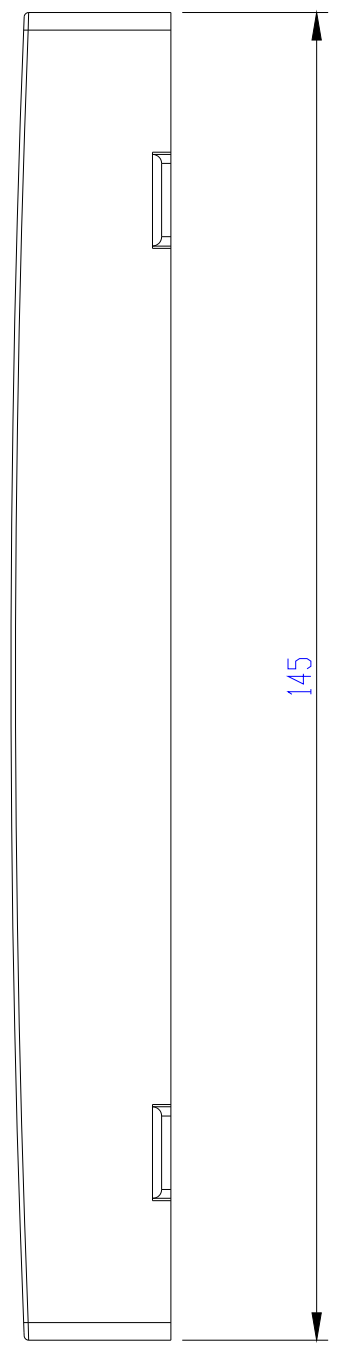
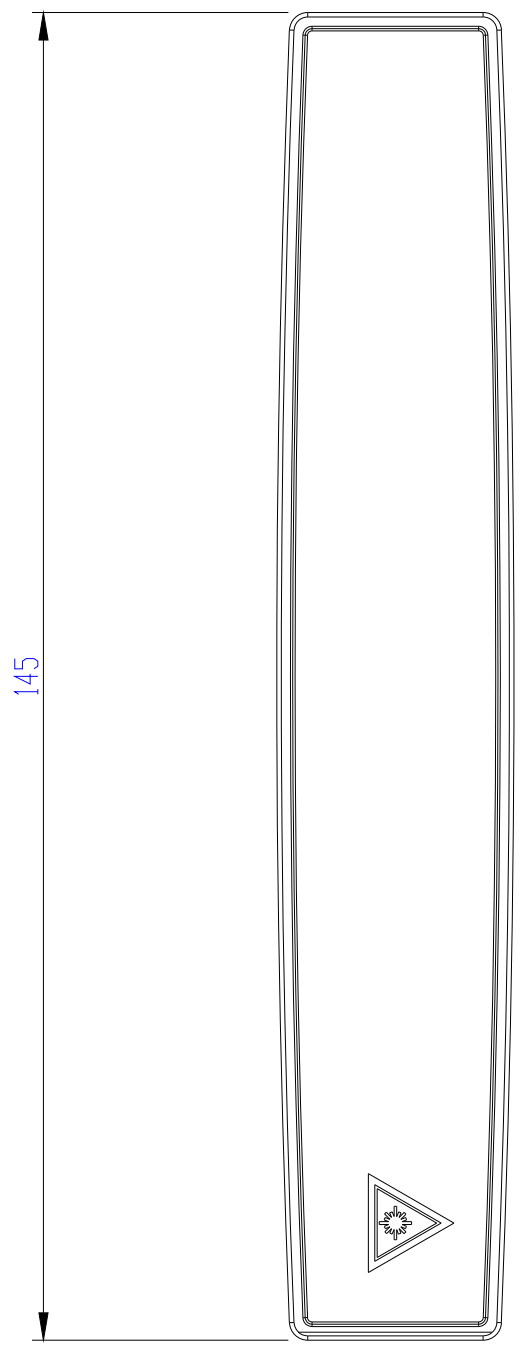
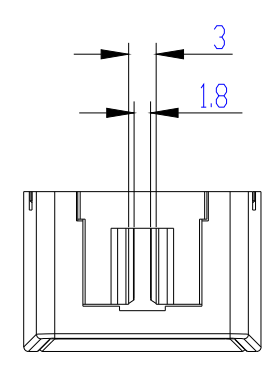


A B C D E F G H

Unmarked toleranc	Low precision	Medium precision	High precision
0~3	±0.15	±0.1	±0.05
3~16	±0.2	±0.15	±0.07
16~25	±0.3	±0.2	±0.1
25~75	±0.4	±0.25	±0.15
75~500	±0.75	±0.5	±0.4
500~	±1.0	±0.8	±0.5
<i>C0.5~C1.0</i>			
<i>R0.5~R1.0</i>			

1
2
3
4
5
6
7



4		
3		
2		
1		
serial number	Date of diagnosis	On the number of Real orders

Type of machine model	Design		Proportion		Name			Xizhi fire	
	Review		Page number	one	Material	Material number		Nozzle unit weight	
	Approval		Unit	mm	Drawing time	picture number		Part unit weight	g