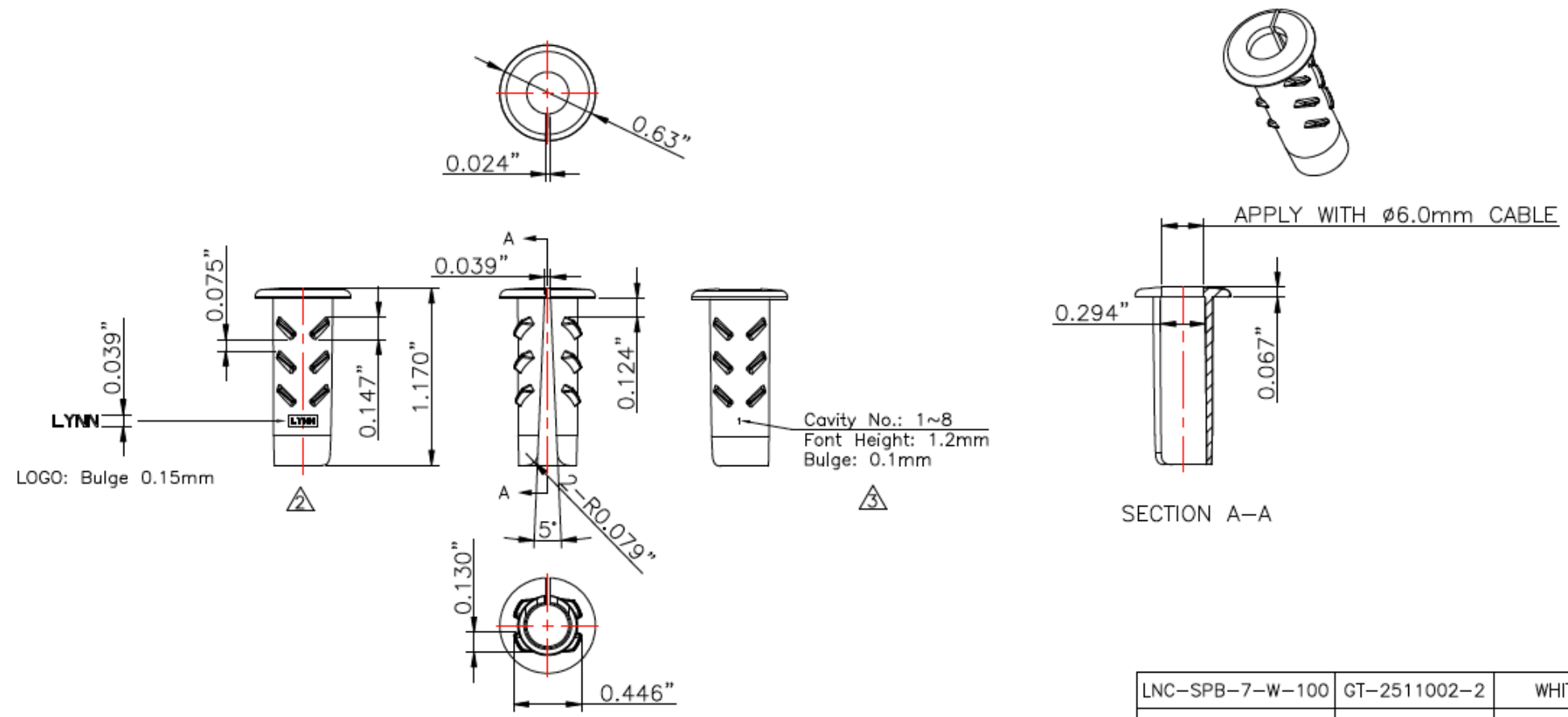


REVISIONS			
REV	DESCRIPTION	DATE	APPROVED
△1	INITIAL RELEASE	2025/11/05	Yinglan Zeng
△2	ADD "LYNN" LOGO	2025/11/20	Yinglan Zeng
△3	ADD CAVITY No. AND UPDATE PACKAGING BAG	2026/01/29	Yinglan Zeng
△4	UPDATE PACKAGING AND ADD LABEL	2026/02/12	Yinglan Zeng
△5	ADD PACKAGING INFORMATION	2026/05/04	Yinglan Zeng



NOTES:
 1. PLASTIC MATERIAL: HDPE, UL94V-1 ANTI-UV.
 2. COLOR: BLACK OR WHITE.

UNLESS OTHERWISE SPECIFIED, ALL DIMENSIONS ARE IN INCHES AND TOLERANCES ARE:
 FRACTION: ±1/16"
 DECIMAL: .X" = ±.05"
 .XX" = ±.020"
 .XXX" = ±.010"
 ANGLES: ±5°

DATE: 2025/11/05
 APPROVED: Kevin Huang
 CHECKED: Rongming Li
 DRAWING: Yinglan Zeng

SCALE: None
 UNIT: mm
 VER: 05
 SHEET: 1 of 3
 DRAWING NO: GT-2511002-X
 PART NO: LNC-SPB-7-X-100

LNC-SPB-7-W-100	GT-2511002-2	WHITE
LNC-SPB-7-B-100	GT-2511002-1	BLACK
PART NO	DRAWING NO	COLOR
Confidential		RoHS, REACH, TSCA, PROP65 COMPLIANT



TITLE: Split bushing 6mm for cat6 and other larger cable 0.63" collar