

1 2 3 4 5 6

A

B

C

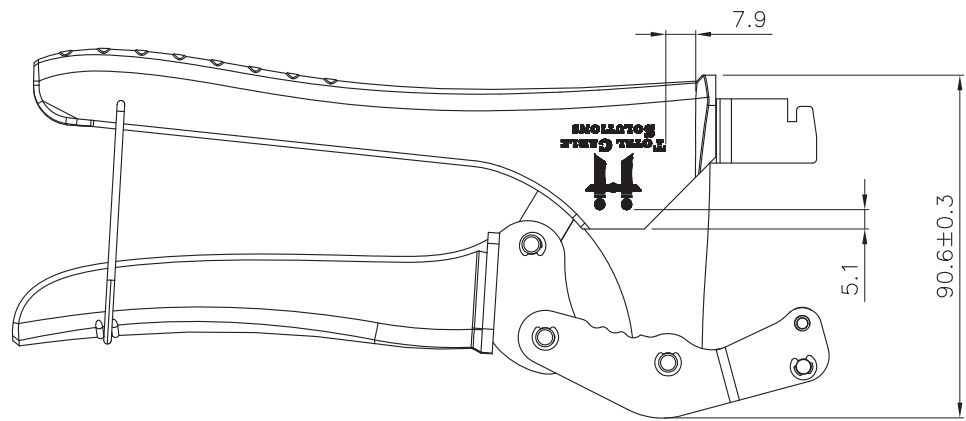
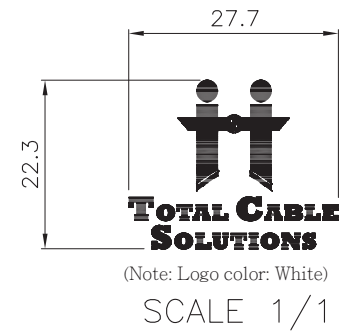
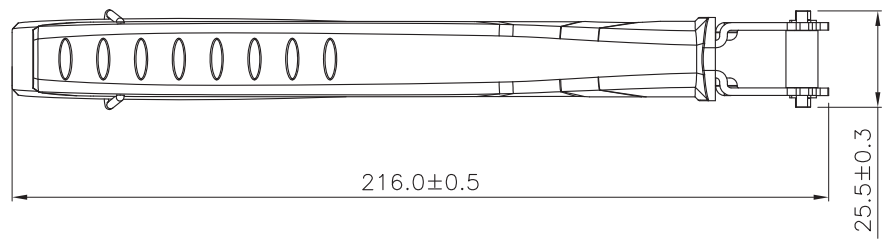
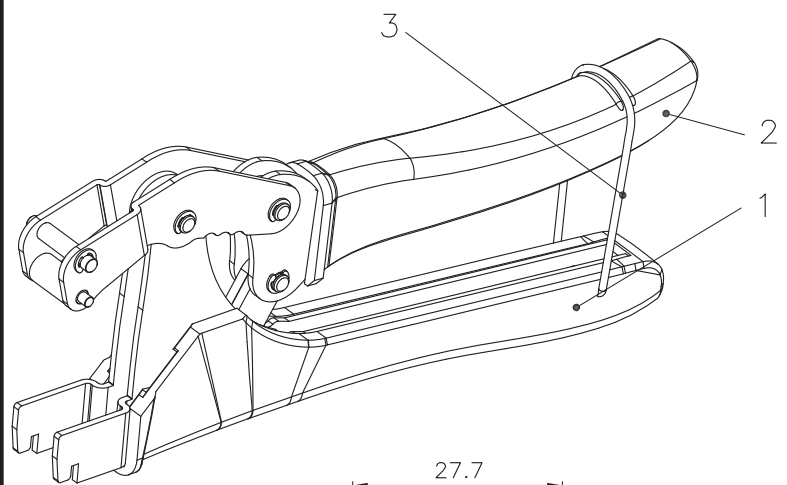
D

A

B

C

D



Specification :

Material :

- 1.left Hand Shank :
 - 1-1. Polycarbonate, UL 94V-2 Black
 - 1-2. SPCC, 2.0mm thickness with 5~8um nickelage .
- 2.Right Hand Shank :
 - 2-1. Polycarbonate, UL 94V-2 Black.
 - 2-2. SPCC, 2.0mm thickness with 5~8um nickelage .
- 3.Ring

Performance :

- a. Operating Function :For JE KJ18 US&FS Series Keystone Jack.
- b. Operating Temperature : -20°C to +70°C.
- c. Storage Temperature : -20°C to +80°C.

GENERAL TOLERANCE OF DIMENSIONS x.xxx ±0.005 x.xx ±0.05 x.x ±0.1	DRAWING	16.NOV.2018	KLi		
	CHECK	16.NOV.2018	Jane		
	APPROVAL	16.NOV.2018	Frank		
	DATE		NAME	ITEM NO.:	PRO-KEY-TOOL
SCALE	1/4 (A4)	UNIT	mm	DES.:	Tool, KJ Rapid-Termination Tool, Labor-saving design(Hand Shank Only)
		DRAWING NO.			
		DRAWING CLASSIFICATION			S

1 2 3 4 5 6
0 10cm